

UV/LED LAMP BQ-L8 MOLLY NAILS

Model: **BQ-L8**

Certificate No.: **KTi240621E196C, KTi240622S171C, KTi240624R166C**

*Molly
Nails*

TECHNICAL DATA:

Power: **298W**

Rated input: **220V AC**

Rated output: **24V 0.95A**

Number of UV LEDs: **72 pcs**

UV wavelength: **365+405nm**

1. SAFETY INSTRUKCTIONS:

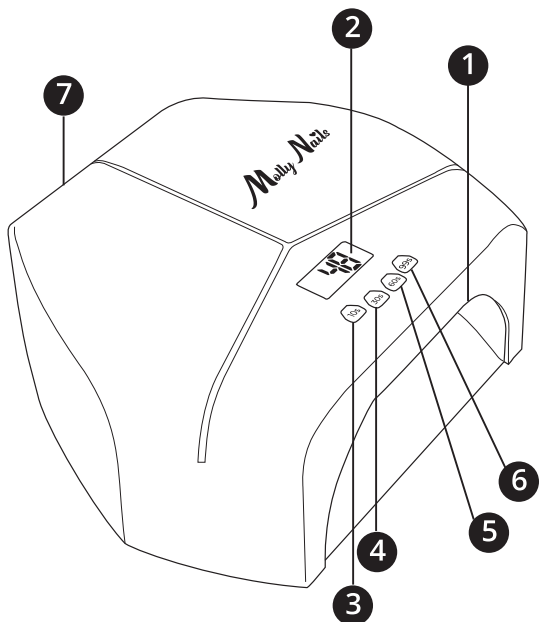
1. Read the user manual carefully before use.
2. The actual operating voltage must comply with the lamp's rated parameters.
3. Do not pour any liquids inside the device - this may cause damage.
4. Wipe with a mild detergent if cleaning is necessary. Always perform this task with the device unplugged (disconnect the power cable).
5. Do not use the lamp:
 - In damp environments.
 - If the power supply is damaged.
 - If the cable connection is loose or damaged.
 - If the timer buttons do not function properly.
6. Do not use the lamp for more than 600 minutes in total, as excessive use may shorten its lifespan.
7. Any unauthorized repairs or modifications void the warranty.
8. Never look directly into the UV light source, as it may cause eye damage. The lamp uses UV/LED diodes that emit potentially harmful radiation. Prolonged exposure may also cause skin irritation, especially in users sensitive to UV or certain cosmetics or medications. If you notice any skin changes, stop using the product immediately and consult a doctor.
9. Keep out of reach of children

2. SET CONTENTS:

1. Nail lamp
2. Power cable
3. Detachable base
4. User manual
5. Warranty card

3. DEVICE DESCRIPTION:

1. Motion sensor - automatically activates the lamp when a hand is inserted
2. Digital display
3. 10s timer button
4. 30s timer button
5. 60s timer button
6. 99s timer button (Low Heat Mode)
7. Power input port



4. OPERATING INSTRUCTIONS:

1. Connect the device to a power source.
2. After connecting, select one of the four timer modes: 10s / 30s / 60s / 99s (99s Low Heat Mode - gradual light increase over 99 seconds, recommended for sensitive nails or builder gels).
3. The built-in motion sensor allows the lamp to operate without pressing buttons. Insert your hand into the lamp; the sensor will automatically activate the light. The maximum curing time is 120 seconds.
4. When the selected timer expires, press the timer button again to reset the time or switch to standby mode.
5. Follow the curing instructions provided with the nail product you are using.
6. After use, disconnect the lamp from the power source.

5. DEVICE FEATURES:

1. 72 evenly distributed LED bulbs eliminate the risk of "dead zones" during curing.
2. 99s Low Heat Mode gradually increases the light intensity, ideal for sensitive nails and builder gels.
3. Motion sensor automatically activates the lamp when the hand is inserted.
4. Digital display with integrated timer.
5. Spacious interior design prevents accidental contact with the sides of the lamp.

IMPORTANT INFORMATION:

The light emission parameters are technological and functional in nature. The curing effectiveness depends, among others, on:

- the type and formulation of the light-curing product,
- the thickness of the applied layer,
- the exposure time,
- the degree of LED diode wear.

The stated parameters do not guarantee compatibility with all products available on the market.



In accordance with art. 13 sec. 1 of the Act of 11 September 2015 on used electrical and electronic equipment (Journal of Laws 2015 item 1688), we inform you about the correct handling of waste electrical and electronic equipment:

1. It is prohibited to place used electrical and electronic equipment together with other waste - this is confirmed by the marking in the form of a "crossed-out bin", which requires selective collection of this type of waste.
2. Electrical and electronic devices may contain hazardous substances, mixtures and components, which, after entering the environment, may pose a serious threat to the health and life of humans and living organisms.
3. Used electrical and electronic equipment should be transferred only to authorized collection points, the list of which should be included on the website of each Municipal Office.
4. Households play a key role in the waste management system for used electrical and electronic equipment due to the possibility of their direct transfer to authorized collection points and the elimination of undesirable social habits resulting in leaving waste equipment in places not intended for this purpose.

IMPORTER
Molly Lac Michał Szewczyk
ul. Piotrkowska 270
90-361 Łódź, Polska
mollynails.pl
uwagi@mollynails.pl

Made in PRC